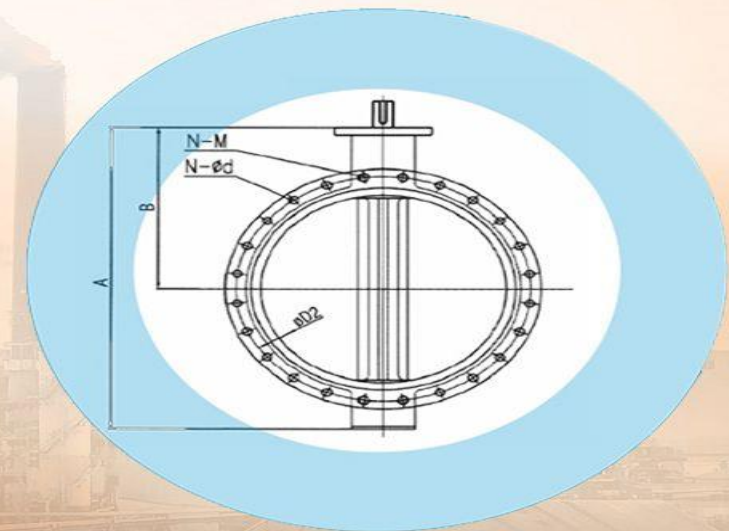


Are you finding for Butterfly Valve Manufacturers in Ahmedabad? So now you are on right place in our website. We are Manufacturers, Exporters and suppliers of Butterfly Valve. Butterfly Valve is accessible in Gray Iron, Cast Iron, Ductile Iron, Bronze and Stainless Steel Material.



**INDUSTRIAL BUTTERFLY VALVE**

We are considered to be the leading manufacturer and supplier of Butterfly valves in different types such as Cast Steel Butterfly Valve, Ductile Iron [Butterfly Valve](#), Stainless Steel Butterfly Valve, TEFLON/ PTFE Lined Butterfly Valve, Viton Lined Butterfly Valve, EPDM Lined Butterfly Valve, Pneumatic Butterfly Valve, Electric Actuated Butterfly Valves, Metal Seated Butterfly Valve from India. Our offered Butterfly valves are appropriate for a huge range of applications. We are offering special material combination as per the specification needed by the customers.





We introduce ourselves as the leading manufacturer and supplier of [Butterfly Valves](#) in India. The offered butterfly valve is a Quarter-turn rotational valve which is used to stop, start and regulate the flow, that is easy and fast to open. The handle of the valve can be rotated to 90° rotation and provides a complete opening or closure of the valve.



Moreover, the huge types of butterfly valves are equipped with Gearbox, where the hand wheels by gears are connected to the stem. We offer a series of valves that differ on the parameters of sizes, diameters, flow rate and pressure rating. These [Butterfly Valves](#) are user friendly because the adjustable opening/closing of the disc allows only the desirable amount of fluid to flow through it.

## Types of Butterfly Valves...



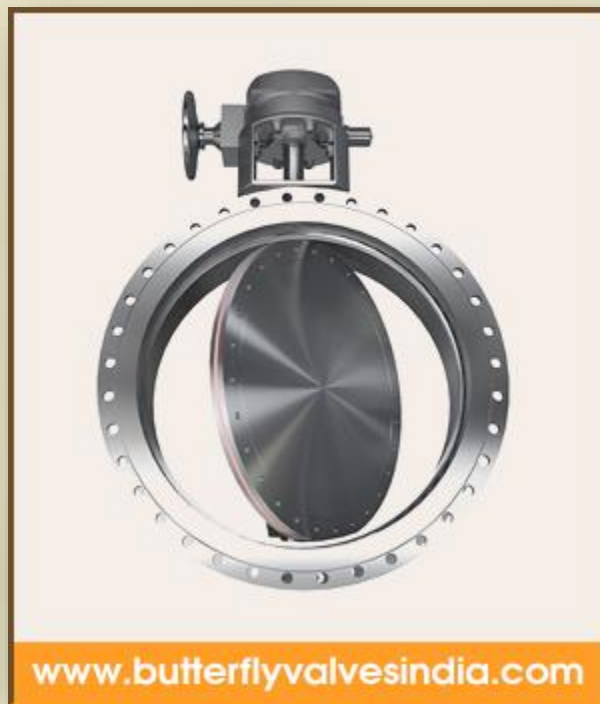
[www.butterflyvalvesindia.com](http://www.butterflyvalvesindia.com)



[www.butterflyvalvesindia.com](http://www.butterflyvalvesindia.com)

- **Cast Steel Butterfly Valve**
- **Ductile Iron Butterfly Valve in India**
- **Stainless Steel Butterfly Valve in India**
- **TEFLON/ PTFE Lined Butterfly Valve**
- **Viton Lined Butterfly Valve**
- **EPDM Lined Butterfly Valve**
- **Pneumatic Butterfly Valve**
- **Electric Actuated Butterfly Valves**
- **Metal Seated Butterfly Valve**

## Unique Attributes of Butterfly Valves...



- Easy and quick opening and closing. Small fluid resistance. It can be frequently operated.
- Simple structure, small size, and light weight.
- It can transmit mud, and has the least amount of liquid accumulated at the outlet of the pipeline.
- Under low pressure, good sealing can be achieved.
- Good regulating performance.



**Address**

**1, Kamal Duplex,  
Nr. SBI Nava Naroda Branch,  
Nava Naroda, Ahmedabad – 382330,  
Gujarat, India.**

**Mobile**

**(+91) 98250 60757**

**Mail**

**info@butterflyvalvesindia.com,  
controtekglobal@gmail.com**



